

CRP-RA15-12

INDUSTRIAL ROBOT HANDLING APPLICATION



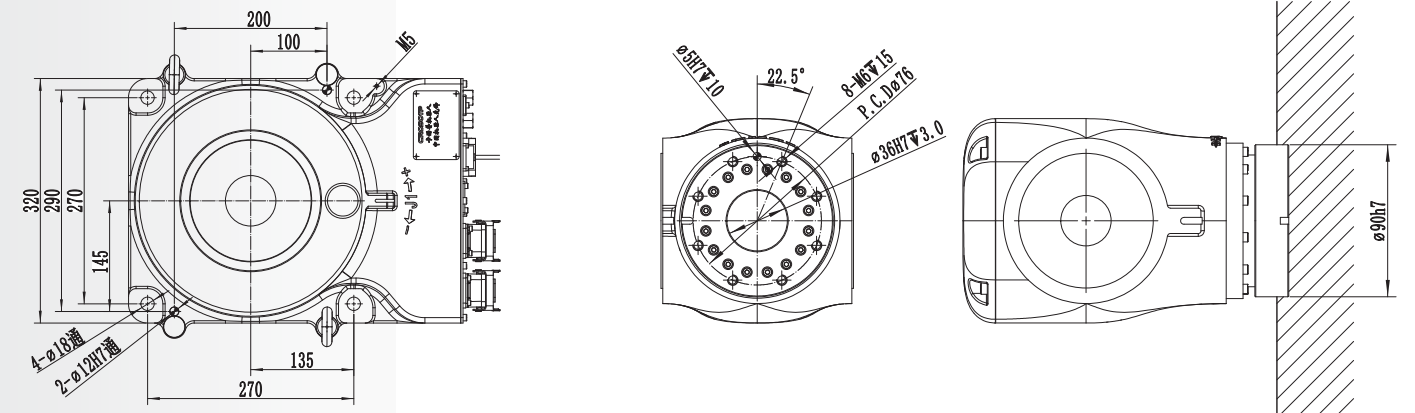
FUNCTIONAL FEATURES

- The design of the robot is highly compact, which is more lightweight, especially the wrist is slender, so it can be applied in more scenarios.
- Adopt high speed motor, the robot has high rigidity and faster beat.
- Adopt leak-proof structure, the protection class of robot is up to IP 67 to adapt harsher working environment.
- The robot in the axes of J2 J3 J4 is reserved installation holes to install fixed solenoid valve and other accessories. There are IO port and dual-circuit gas pipe at J3 axis to meet the handling application.
- Driving adopts new advanced PID control technology to achieve faster response. With the functions of observer dynamic compensation and weak magnetism, the electric machine can be better controllable and more stable with higher speed.
- The new control algorithm combines Kinematics with Dynamics. The new design integrates driven algorithm and control algorithm to realize automatic programming and guarantee the service life of mechanical under the maximum working capacity based on the characteristics of mechanical components load and condition of loading. Meanwhile, the robot can realize high speed response, faster running speed and work beats with longer life span.
- With collision detection function, it can better protect the robot body and peripheral equipment. With the function of gravity compensation, the robot has higher precision, so it can be applied in more scenarios.
- Equipped with safety emergency stop board which is independent of the control system, and the safety relay circuit is adopted to provide double-circuit emergency stop to ensure the reliability of emergency stop.
- Built-in three-phase transformer makes 380V and 220V isolated to help the power supply more stable. Built-in three-phase filter can effectively improve the performance of internal and external distractions.

ROBOT BODY TECHNICAL PARAMETERS

Model	CRP-RA15-12	
Arm form	Vertical multiple joints	
Degree of freedom	6 axis	
Maximum payload	12KG	
Repeated positioning accuracy	±0.05mm	
Maximum reaching distance	1510mm	
Robot body weight	160KG	
Installation mode	Ground, upside down mounting, wall mounting	
Maximum travel	axis 1	Ground/upside down mounting -170°-170°, wall mounting -30°-30°
	axis 2	-60°-175°
	axis 3	-90°-150°
	axis 4	-190°-190°
	axis 5	-135°-135°
	axis 6	-360°-360°
Maximum speed	axis 1	235°/S
	axis 2	208°/S
	axis 3	235°/S
	axis 4	376°/S
	axis 5	440°/S
	axis 6	698°/S
Allowable torque	axis 4	23N.m
	axis 5	23N.m
	axis 6	9.3N.m
Allowable moment of inertia	axis 4	0.63kg.m ²
	axis 5	0.63kg.m ²
	axis 6	0.17kg.m ²
Installation environment	ambient temperature	0-45°C
	relative humidity	38-85%(No condensation)
	vibration	Under 0.5 G
	Others	Robot installation must be away from: Flammable or corrosive liquids or gases, electrical sources of interference
IP level	Wrist Ip67 ,others IP54	
Advantage features	Compact structure, fast running speed, high repeated positioning accuracy, strong versatility and easy to operate	
Application	Loading and unloading, palletizing, welding, dispensing, spraying	
Electric Cabinet Configuration	G4/G5+External Transformer	

INSTALLATION INTERFACE DIAGRAM



Installation Dimension of Base

Flange Dimensions

MOTION RANGE DIAGRAM

