

# CRP-RH20-06-W

## INDUSTRIAL ROBOT WELDING APPLICATION



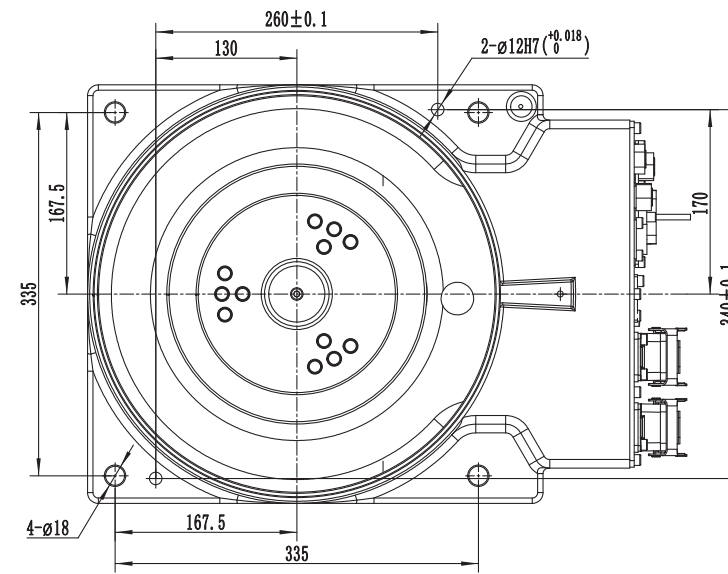
### FUNCTIONAL FEATURES

- The arm span is nearly 2.0 meters. The design is highly compact and can be flexibly installed on the ground or upside down.
- With large working space, fast running speed and high repeated positioning accuracy, it is suitable for wide range of welding applications.
- The safety emergency stop board independent of the control system is equipped with, and the safety relay circuit is adopted to provide double-circuit emergency stop to ensure the reliability of emergency stop.
- The robot body adopts highly flexible special cable.
- Built-in three-phase transformer makes 380V and 220V isolated to help the power supply more stable. Built-in three-phase filter can effectively improve the performance of EMC and EMI.
- The robot body is with dual-circuit gas pipe to meet the welding demand.
- The inner diameter of 6-axis middle hole is 44mm, it can meet the installation requirements of water-cooling torch and bellows torch.
- Highly flexible welding cable is built-in.

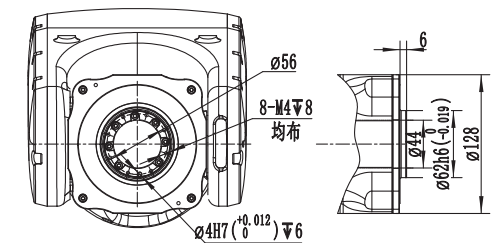
### ROBOT BODY TECHNICAL PARAMETERS

Model	CRP-RH20-06-W	
<b>Arm form</b>	Vertical multiple joints	
<b>Degree of freedom</b>	6 axis	
<b>Maximum payload</b>	6kg	
<b>Repeated positioning accuracy</b>	±0.08mm	
<b>Maximum reaching distance</b>	2012mm	
<b>Robot body weight</b>	291kg	
<b>Installation mode</b>	Ground, upside down mounting, wall mounting	
<b>Maximum travel</b>	axis 1	Ground/upside down mounting -165°-165°, wall mounting -30°-30°
	axis 2	-155°-100°
	axis 3	-165°-245°
	axis 4	-190°-190°
	axis 5	-105°-110°
	axis 6	-210°-210°
<b>Maximum speed</b>	axis 1	160°/S
	axis 2	160°/S
	axis 3	169°/S
	axis 4	301°/S
	axis 5	338°/S
	axis 6	535°/S
<b>Allowable torque</b>	axis 4	16N.m
	axis 5	16N.m
	axis 6	13N.m
<b>Allowable moment of inertia</b>	axis 4	0.55kg.m <sup>2</sup>
	axis 5	0.55kg.m <sup>2</sup>
	axis 6	0.2kg.m <sup>2</sup>
<b>Installation environment</b>	ambient temperature	0-45°C
	relative humidity	20-80%( No condensation)
	vibration	Under 0.5 G
	Others	Robot installation must be away from: Flammable or corrosive liquids or gases, electrical sources of interference
<b>IP level</b>	Body IP54, wrist IP67	
<b>Advantage features</b>	Compact structure, high speed, high precision, high expansibility and easy operation	
<b>Application</b>	Welding	
<b>Electric Cabinet Configuration</b>	G4	

### INSTALLATION INTERFACE DIAGRAM



Installation Dimension of Base



Flange Dimensions

### MOTION RANGE DIAGRAM

